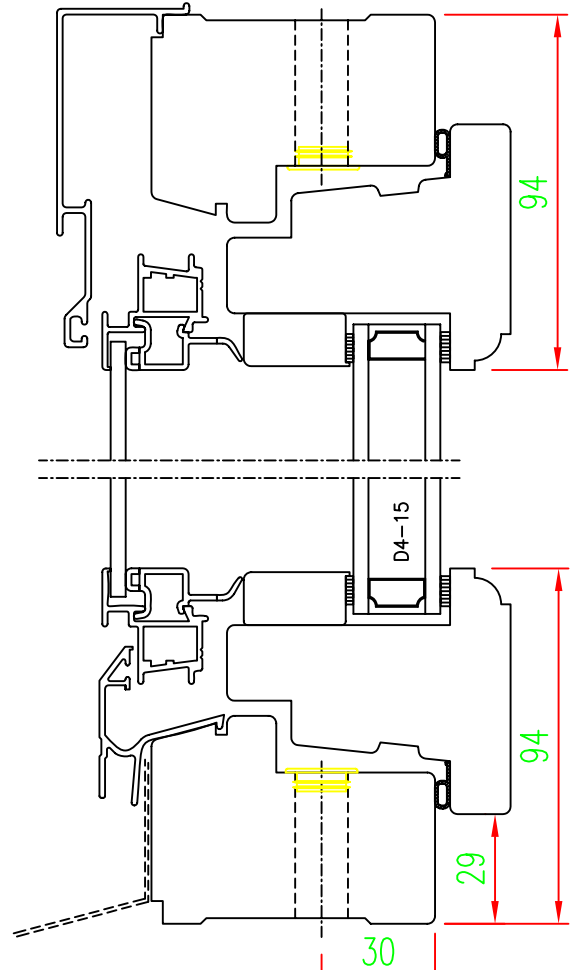
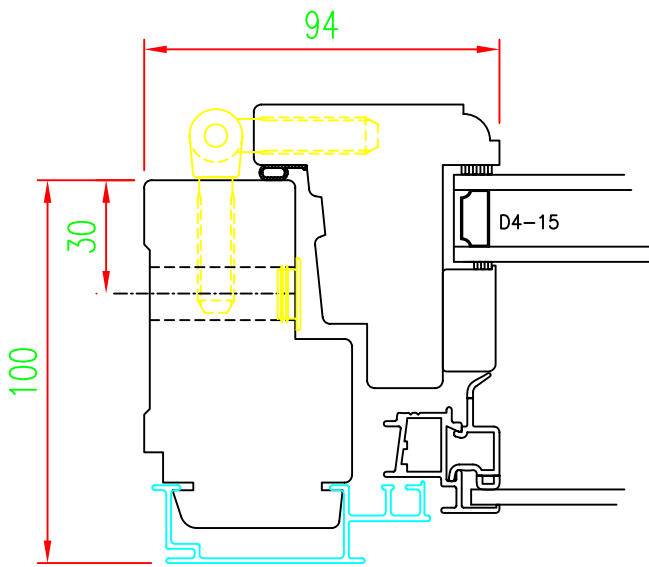


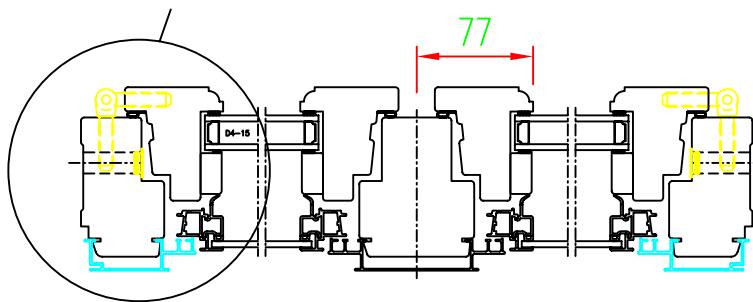
Elevation



SECTION A-A SCALE 1:2



SCALE 1:2



SECTION B-B SCALE 1:5

SCANDINAVIAN TIMBER LTD.

30A ROXBOROUGH PARK  
HARROW-ON-THE-HILL  
MIDDLESEX HA1 3AY

TEL: 020 8864 0131  
FAX: 020 8426 9151

E-MAIL: enquiries@scandinavian-timber.com



Component: Kopplad, Inward Opening

REV. NO.

TYPE:

SILL, HEAD & JAMB DETAILS

DR. NO.

SCALE:

1:2

SCAND. TIMBER REF:

ST/SSC SA KFI 55\*92-100