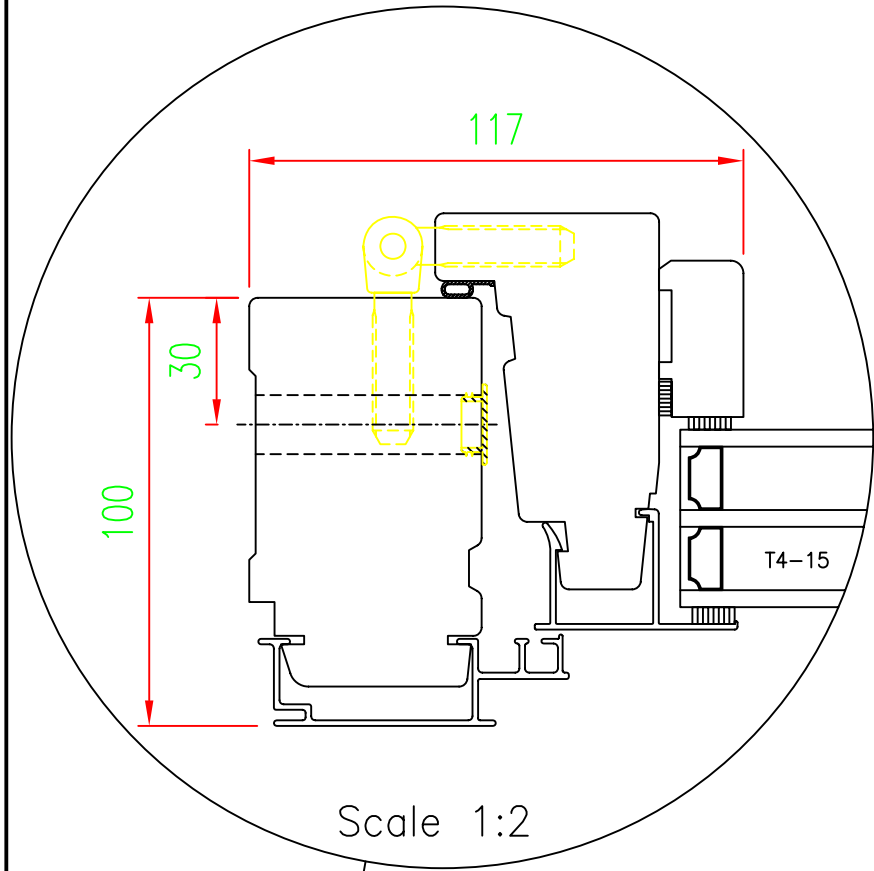
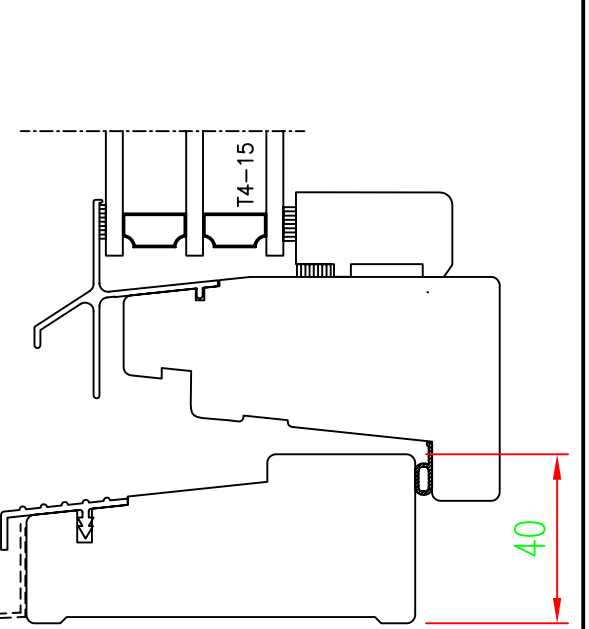
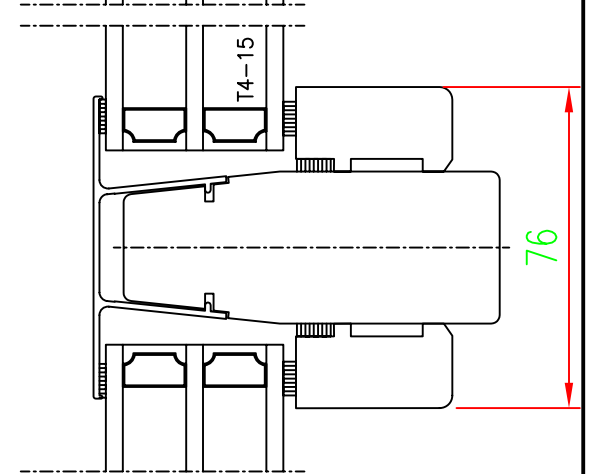
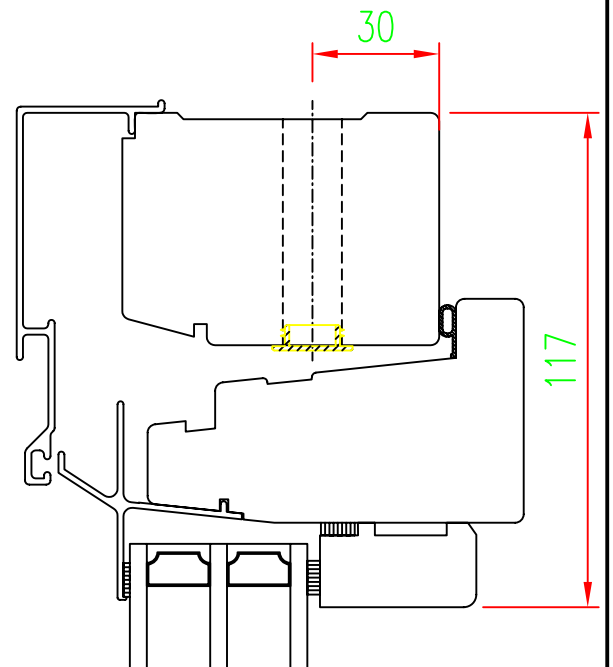
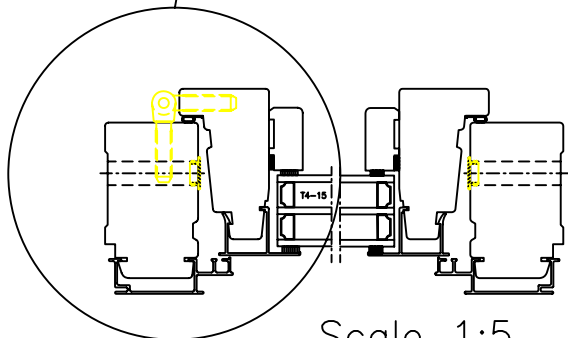


Elevation



Scale 1:2



Scale 1:5

Scale 1:2

SCANDINAVIAN TIMBER LTD.
 30A ROXBOROUGH PARK
 HARROW-ON-THE-HILL
 MIDDLESEX HA1 3AY
 TEL: 020 8864 0131
 FAX: 020 8426 9151
 E-MAIL: enquiries@scandinaviantimber.com



Component: Inward Opening Door	
REV. NO.	TYPE: SILL, HEAD & JAMB DETAILS
DR. NO.	
SCALE: 1:2	SCAND. TIMBER REF: ST/SSC SA 100 EDI