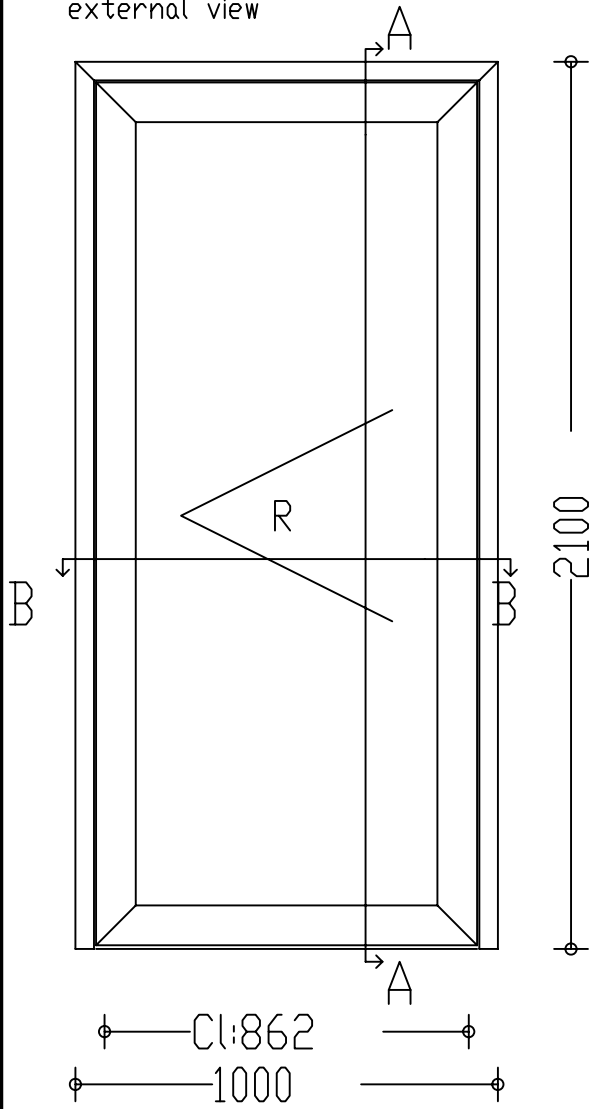
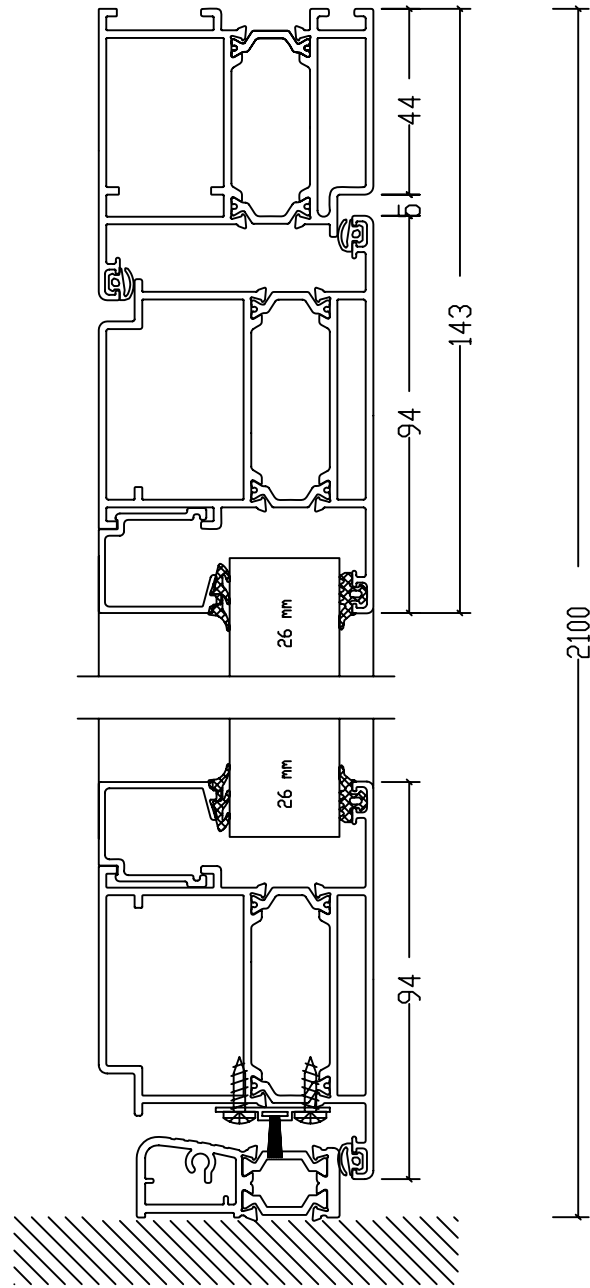


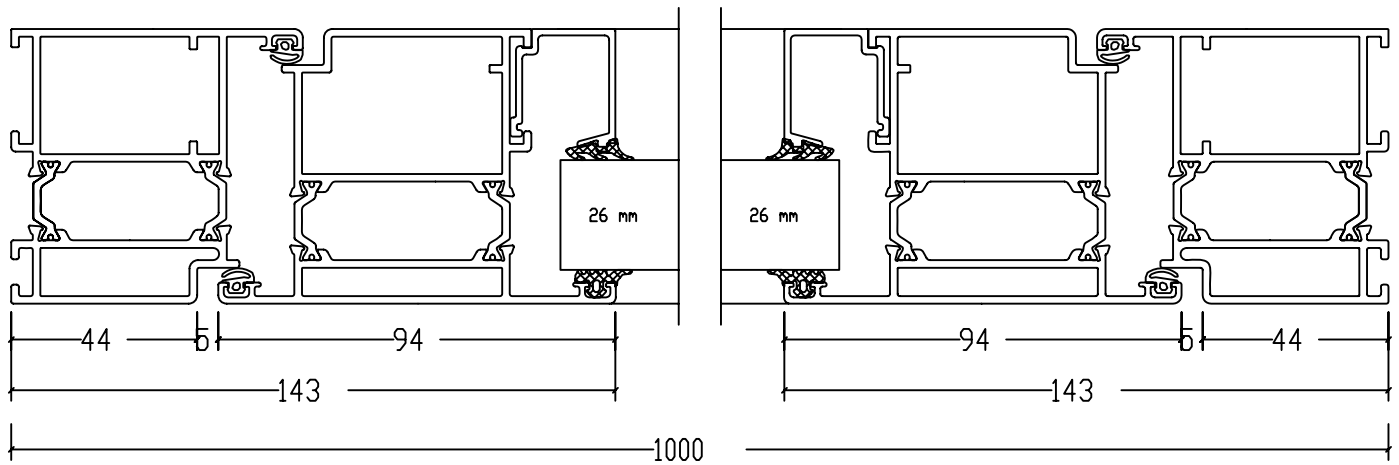
external view



A-A



B-B



SCANDINAVIAN TIMBER LTD.

30A ROXBOROUGH PARK
HARROW-ON-THE-HILL
MIDDLESEX HA1 3AY
TEL: 020 8864 0131
FAX: 020 8426 9151
E-MAIL: enquiries@scandinaviantimber.com



Component:

REV. NO.

DR. NO.

SCALE:

1:2

TYPE:

SILL, HEAD & JAMB DETAILS

SCAND. TIMBER REF:

ST/FP Outward Op. Door