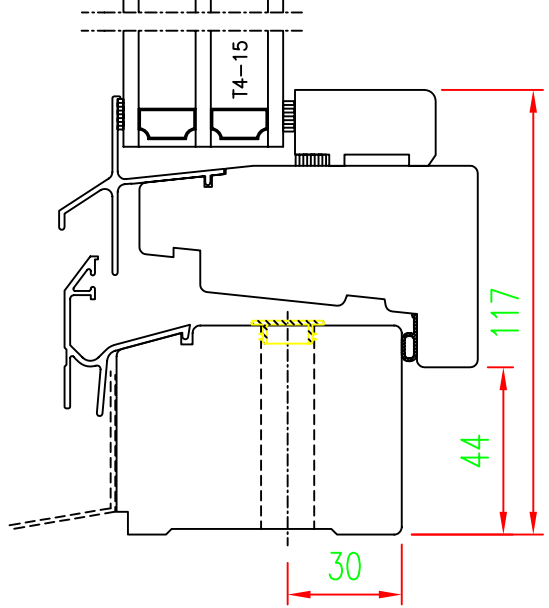
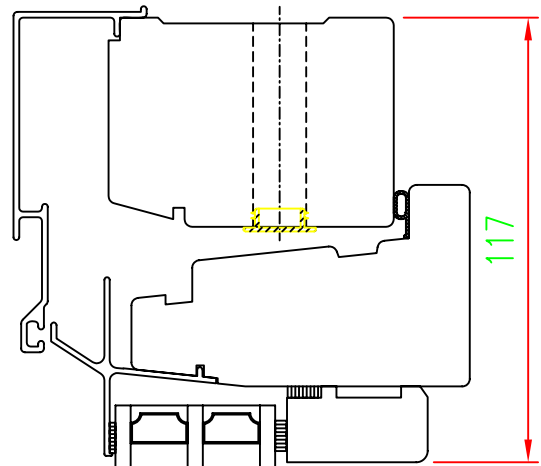
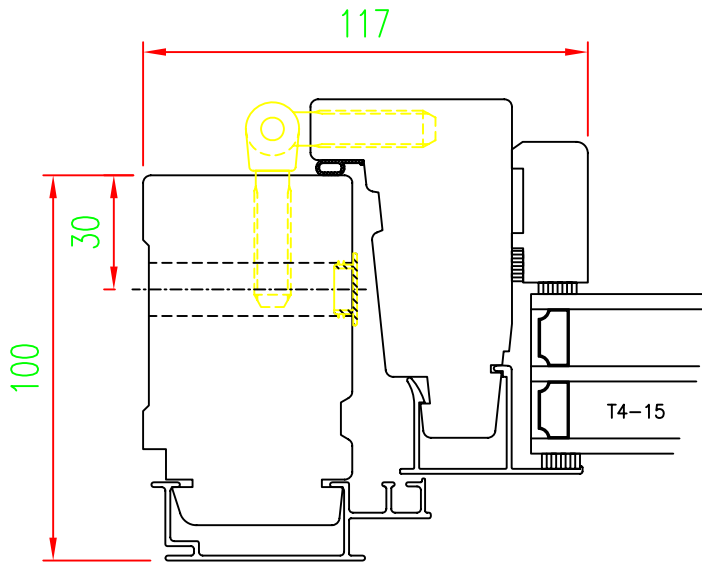


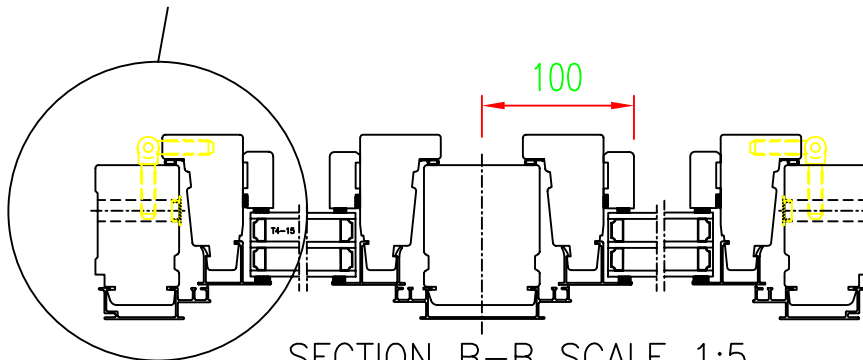
Elevation



SECTION A-A SCALE 1:2



SCALE 1:2



SECTION B-B SCALE 1:5

SCANDINAVIAN TIMBER LTD.
 30A ROXBOROUGH PARK
 HARROW-ON-THE-HILL
 MIDDLESEX HA1 3AY
 TEL: 020 8864 0131
 FAX: 020 8426 9151
 E-MAIL: enquiries@scandinaviantimber.com



Component: Triple Glazed, Inward Opening	
REV. NO.	TYPE: SILL, HEAD & JAMB DETAILS
DR. NO.	
SCALE:	SCAND. TIMBER REF: ST/SSC SA EFI 55*92-100